

Canadian Pony Club

GENERAL RULES SUPPLEMENTAL



General Rules

This document outlines the general rules that are consistent across all disciplines and activities. Please see individual discipline rule books for details specific to their events.

Highlighted area are changes made to the current year's document.



CANADIAN PONY CLUB

GENERAL RULES SUPPLEMENTAL

2025

Loyalty

Character

Sportsmanship

Table of Contents

CODE OF ETHICS AND CONDUCT	3
CPC GENERAL RULES	3
Organization of the Rulebook	3
Concussion Guide.....	3
GENERAL POLICIES	3
Competitions	3
Accommodations	3
Drugs.....	3
Equine Medications	4
Safety	4
Helmets	4
Attire	5
Medical Armbands	5
Spurs.....	5
Body Protector/Inflatable Vest.....	6
Falls and Unauthorized Dismounts.....	7
Tack Guidelines	7
Saddle	7
Stirrups.....	7
Bits & Accessories	7
Various Snaffle Bridle Bits:	9
Various Curbs:	11
Miscellaneous Tack and Accessories	11
Crops / Whips	11
Bridles.....	12
Bridle Accessories.....	12
Reins	12
Nosebands.....	12
Martingales	13
Saddle Accessories	13
Boots / Bandaging	13
UNAUTHORIZED ASSISTANCE	13
HORSE WELFARE AND CARE	14
Abuse or Inhumane Treatment	14
Horse Matching Guidelines	14
Horse Lending Guidelines.....	15



CANADIAN PONY CLUB

GENERAL RULES SUPPLEMENTAL

2025

Loyalty	Character	Sportsmanship
APPROPRIATE DRESS AND ATTIRE		16
Applies to all CPC Disciplines		16
Rider Dress / Attire		16
Non-Competing Attire		17
MEDICAL ARMBAND INSERT		19
National Spirit Award		20



CANADIAN PONY CLUB

GENERAL RULES SUPPLEMENTAL

2025

Loyalty

Character

Sportsmanship

CODE OF ETHICS AND CONDUCT

The Code of Ethics consists of two parts:

- 1) Statement of Principle which is an interpretative guide
- 2) Code of Conduct which is mandatory and enforceable.

All members, parents and volunteers must abide by this policy at all times. Please refer to the CPC Code of Ethics and Conduct policy on the [CPC Website](#).

CPC GENERAL RULES

Organization of the Rulebook

The CPC Sport rules are divided into multiple documents, grouped by disciplines. This document covers general regulations that apply to all CPC members, officials, owners and volunteers.

Equestrian Canada ("EC") is the governing sport body for rules around permitted attire, tack, safety and welfare within the Canadian Equestrian community. Further definition or restrictions on those items may be applied at the Canadian Pony Club level specifically but will not supersede those rules provided by EC.

Concussion Guide

CPC has a comprehensive concussion guide policy. All members, parents, examiners, coach, officials and volunteers must abide by this policy at all times. We recommend that a printed copy be available at each CPC event. Please refer to the CPC Concussion policy on the [CPC Website](#).

GENERAL POLICIES

Competitions

No organizing official or member of the ground jury shall compete in the competition.

Accommodations

Unless prior knowledge of a required accommodation for physical or mental health concerns, the participant will not be given accommodations on the day of the event. Arrangements must be in place at minimum 7 days prior to the start of the event.

Drugs

The Canadian Pony Club is not qualified to pass judgment on the moral and health questions associated with the use of cannabis or controlled dangerous substances by its members. It does, however, emphatically forbid the use or possession of cannabis or controlled dangerous substances by all participants at CPC events at any level. Use or possession of alcohol is likewise forbidden, except



CANADIAN PONY CLUB

GENERAL RULES SUPPLEMENTAL

2025

Loyalty

Character

Sportsmanship

away from the competition grounds by persons of legal age under local law. Use of forbidden substances or misuse of alcohol is subject to disciplinary action, up to and including disqualification. It is forbidden to consume alcohol or cannabis 24 hours prior to competition.

Equine Medications

Any horse to which drugs are administered as a stimulant, depressant, tranquilizer, local anaesthetic, or any drug which might affect its performance is not a suitable mount for use by a Pony Club member and as such the horse may not be used at any CPC Competition. All such drugs are also illegal under Equestrian Canada rules.

Non-steroidal anti-inflammatory drugs such as phenylbutazone (“bute”), dexamethasone or Previcox, or any other medication that is permitted under Equestrian Canada Rules, may be administered to horses provided that the Chief Stable Management Judge and the Ground Jury are informed of the medication being used, the dosage and the purpose. This should be in the form of a letter from the horse owner’s veterinarian. These drugs must be labelled and kept in a secure place approved by the Chief Stable Management Judge and the Ground Jury. In the absence of a veterinarian, the team chaperone may administer the medication.

Teams or competitors may possess only those medicines and equipment which are strictly of a first aid nature and are generally used in the stable. Teams or competitors shall not possess any drugs or syringes in the stable or any other place on the rally grounds under penalty of **automatic disqualification**. First Aid kits may contain a syringe for the purpose of irrigating a wound. The syringe should be sealed in the original wrapper, in sterile condition. Needles are absolutely forbidden.

Safety

The following should be followed when riding or working around horses.

Helmets

- Must be an ASTM/SEI approved helmet manufactured date or first point of sale date (with proof) within last 5 years.
- CPC recommends that members follow the manufacturer guidelines for helmet use and replacement and to replace a helmet after the member has suffered a fall or the helmet shows visible damage.
- No broken harness or any damage on the helmet.
- Securely fit where the chin strap cannot be pulled over the chin when fastened.
- Helmets must be worn despite religious practice. Event organizers will provide a private dressing area for this purpose.
- Must not be removed while mounted.



CANADIAN PONY CLUB

GENERAL RULES SUPPLEMENTAL

2025

Loyalty

Character

Sportsmanship

Attire

- Big dangly earrings, necklaces or bracelets are forbidden. Excluding medical alert jewelry.
- Hoops and removable facial piercings are forbidden.
- Wearing spurs around the barn or grounds is prohibited.
- Long hair should be braided or secured up.
- Ear buds and ear pieces are not permitted while mounted.
- Cell phones must be on vibrate when near competition areas. Competitors are prohibited from wearing cell phones while in the competition ring.
- Two-way communication devices are prohibited in the competition ring and discouraged in the schooling areas as they interfere with devices used by show organizers.

Medical Armbands

Medical Armbands are no longer required. In lieu of medical armbands, members must provide an emergency contact including the telephone number of an accompanying person/next-of-kin to the DC or Event Organizer on the entry form.

- Members with medical conditions that may be relevant in the case of a medical emergency are encouraged, at every Pony Club activity, to wear a medical armband. Members who chose to wear an armband should download and fill the form available for this purpose on the CPC website.

Alternatively, the member may wear a medical data carrier* from a system provider able to communicate information.

* Medical data carrier (also called “medical identification tag” or medical alert bracelet / necklace): small emblem or tag worn on a bracelet, neck chain, or on the clothing, intended to alert paramedics/physicians/first responders that the wearer has an important medical condition. Conditions that are relevant include recent head injury, serious past injuries/surgery, chronic health problems such as diabetes, long-term medications and allergies. If in doubt, the member should discuss this with their own treating physician.

Spurs

- PPG does not permit the use of spurs.
- Dressage permits blunt spurs (although optional) at First level and below and blunt free-spinning roweled (daisy) spurs for Second level and above are permitted.
- Non-roweled spurs (under 3.5cm) are allowed for all other disciplines.



CANADIAN PONY CLUB

GENERAL RULES SUPPLEMENTAL

2025

Loyalty

Character

Sportsmanship

Body Protector/Inflatable Vest

1. A body protector vest is mandatory for the warm-up and all cross-country riding whether it be training or competing. A body protector vest may also be worn during other disciplines. Body Protector vests must meet or exceed and be appropriately labelled ASTM approved standard F1937 or BETA Level 3 - 2018 body protector standard.
2. An inflatable vest may be worn:
 - Only when worn over an approved body protector vest during the warm-up for and for all cross-country riding
 - As a standalone item of dress for the warm-ups for and during the dressage and jumping tests only if it has been approved for use without a body protector vest by the manufacturer. The inflatable vest must always be worn on the outside of other garments.
3. Violation of this rule shall be penalized at the discretion of the Ground Jury, and may result in elimination.
4. Competitors are strongly recommended to check their body protectors on a regular basis and to replace them if damaged. It is the manufacturers recommendation that body protectors be replaced every three to five years, after which the impact absorption properties of the materials may have started to decline.
5. It is strongly advised that the body protector should impede neither flexibility nor balance and not exceed more than 2% of the user's body weight.



The Canadian Pony Club does not make the use of body protectors compulsory, except for all Cross-Country riding whether it be training or competing. If a Body protector is worn for any Pony Club activity it must meet BETA 2018 Level 3 standard (blue and black label) – see below. For general use, the responsibility for choosing body protectors and the decision as to their use must rest with Members and their parents. It is recommended that a rider's body protector should not be more than 2% of their body weight. When worn, body protectors must fit correctly, be comfortable and must not restrict movement. BETA recommends body protectors are replaced at least every three to five years, after which the impact absorption properties of the foam may have started to decline.





CANADIAN PONY CLUB

GENERAL RULES SUPPLEMENTAL

2025

Loyalty

Character

Sportsmanship

Falls and Unauthorized Dismounts

- A fall by the rider is considered to have taken place when the rider has an unplanned separation from the horse in such a manner that they must remount the horse in order to regain contact with the saddle.
- A fall by the horse is considered to have taken place if both the shoulder and quarters of the horse have touched the ground simultaneously.
- A fall of horse and/or rider in the competition ring will result in the immediate elimination from the class / race. All falls must be reported immediately to the Safety Officer and the required return to play paperwork must be completed before resuming competition and the final incident / witness report forms submitted within 7 days of the completion of the competition to the CPC National Office.

Tack Guidelines

EXCEPTION: A CPC member may register a documented physical disability with the CPC, which would allow the member to ride in any assorted adapted tack. The member must then ride in that adapted tack at all CPC competitions at all levels with no exceptions.

Saddle

- Girth must lay flat against the horse's body.
- Saddle pad should be in proper position and not too tight against the withers.
- All saddles must be made of leather or synthetic material and must weigh over 5 lbs. PPG does not permit the use of treeless saddles.

Stirrups

- Must have 1/2" extra room at ball of foot on width of stirrup.
- Stitching must be in good repair.

Bits & Accessories

Bits & Accessories	Dressage	PPG	Rally	Show Jumping	Tetrathlon
Snaffle	<input checked="" type="checkbox"/>	<input checked="" type="checkbox"/>	<input checked="" type="checkbox"/>	<input checked="" type="checkbox"/>	<input checked="" type="checkbox"/>
Bridoon	<input checked="" type="checkbox"/>				
Kimberwick	<input checked="" type="checkbox"/> (*)		<input checked="" type="checkbox"/> (*)	<input checked="" type="checkbox"/>	<input checked="" type="checkbox"/>
Dr. Bristol				<input checked="" type="checkbox"/>	
Pelham			<input checked="" type="checkbox"/>	<input checked="" type="checkbox"/>	<input checked="" type="checkbox"/>
Curb	<input checked="" type="checkbox"/>		<input checked="" type="checkbox"/>	<input checked="" type="checkbox"/> (**)	<input checked="" type="checkbox"/>
English Hackamore (***)		<input checked="" type="checkbox"/>	<input checked="" type="checkbox"/>	<input checked="" type="checkbox"/> (**)	<input checked="" type="checkbox"/>
Western Hackamore (***)					
Bitless		<input checked="" type="checkbox"/> (****)	<input checked="" type="checkbox"/>	<input checked="" type="checkbox"/> (**)	<input checked="" type="checkbox"/>



CANADIAN PONY CLUB

GENERAL RULES SUPPLEMENTAL

2025

Loyalty	Character				Sportsmanship
Bits & Accessories	Dressage	PPG	Rally	Show Jumping	Tetrathlon
Bosals		<input checked="" type="checkbox"/>		<input checked="" type="checkbox"/>	
Gag			<input checked="" type="checkbox"/>	<input checked="" type="checkbox"/> (**)	<input checked="" type="checkbox"/>
Bit Guards		<input checked="" type="checkbox"/>	<input checked="" type="checkbox"/>	<input checked="" type="checkbox"/>	<input checked="" type="checkbox"/>
Bit Burrs / Tongue Ties					

(*) See below.

(**) Except in Hunter classes where these are not permitted.

(***) Shank length of 6" or less.

(****) Side pull bitless bridle is allowed but the cross under bridle is not allowed.

Mouthpiece:

Is to be smooth (no twist or wire); of a consistent metal, amalgam or rigid plastic or flexible rubber; may be covered by rubber or other normally accepted material; may not be wrapped; may have a single, double or no joint; may have a rotating mouthpiece; may not have outstanding edges or odd curves or unrounded joints; may not have a port; may not have a roller.

SNAFFLE & BRIDOONS:

Rings: May be free (loose, German) ring, eggbutt, D ring.

Cheeks: May be a full cheek; a half cheek oriented up only; a hanging cheek; is not required to be part of the ring (i.e. Fulmer or loose ring with cheeks).

Fit: comfortably

KIMBERWICK:

(*) is permitted only at the Entry and Starter Levels for Dressage or Pre-Entry / Entry for Rally Dressage. Curb chain is allowed. Reins must not be placed in the slots of the ring, only on the ring proper.

CURB:

Mouthpiece: (as it pertains to the curb) may be half-moon; may have a port; may not be jointed; may have a sliding mouthpiece (Weymouth).

Shanks: may have straight shanks; may have a rotating lever arm not longer than 10 cm below the mouthpiece when at the uppermost position; may have S-curved shanks.

Curb chain: may be leather or metal or a combination of the two.

Lip strap: is permitted and is to remain loose.

** Additional bits as approved by Equestrian Canada and FEI Rules will be outlined in their rules.



CANADIAN PONY CLUB

GENERAL RULES SUPPLEMENTAL

2025

Loyalty

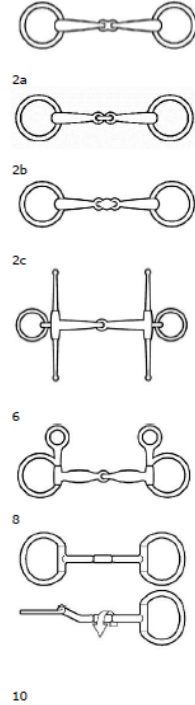
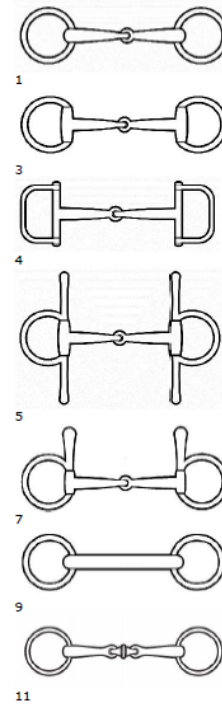
Character

Sportsmanship

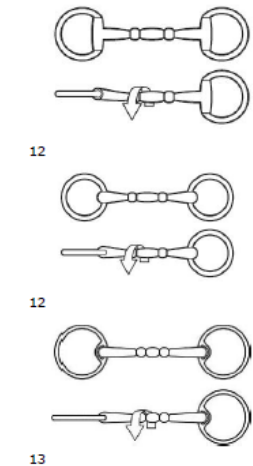
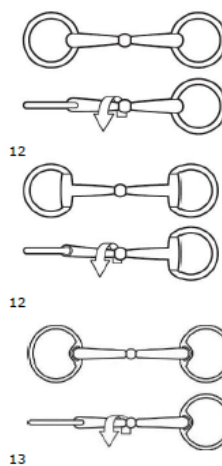
Various Snaffle Bridle Bits:

- 1 Loose (free, German) ring snaffle with a single joint
- 2 a,b,c,d,e
Snaffle with jointed mouthpiece where middle piece should be rounded.
- 3 Eggbutt snaffle
- 4 D-ring (racing) snaffle
- 5 Full cheek eggbutt snaffle
- 6 Fulmer (loose ring with cheeks) snaffle
- 7 Snaffle with upper cheeks only
- 8 Hanging cheek (Baucher) snaffle
- 9 Straight bar snaffle, may have mullen mouth or eggbutt ring
- 10 Snaffle with rotating mouthpiece
- 11 Snaffle with rotating middle piece
- 12 Rotary bit with rotating middle piece.
- 13 Rotary bit with rotating middle piece and looped rings

Various snaffle bridle bits



Rotary bit



- 1 Loose ring bridoon with single joint
- 2 a,b,c- Double jointed bridoon with rounded edges on middle pieces
- d - Bridoon with rotating middle piece
- e - Bridoon Rotary bit with rotating middle piece.
- f – Bridoon Rotary bit with rotating middle piece and looped rings
- 3 Eggbutt bridoon
- 4 Hanging cheek bridoon



CANADIAN PONY CLUB

GENERAL RULES SUPPLEMENTAL

2025

Loyalty

Character

Sportsmanship

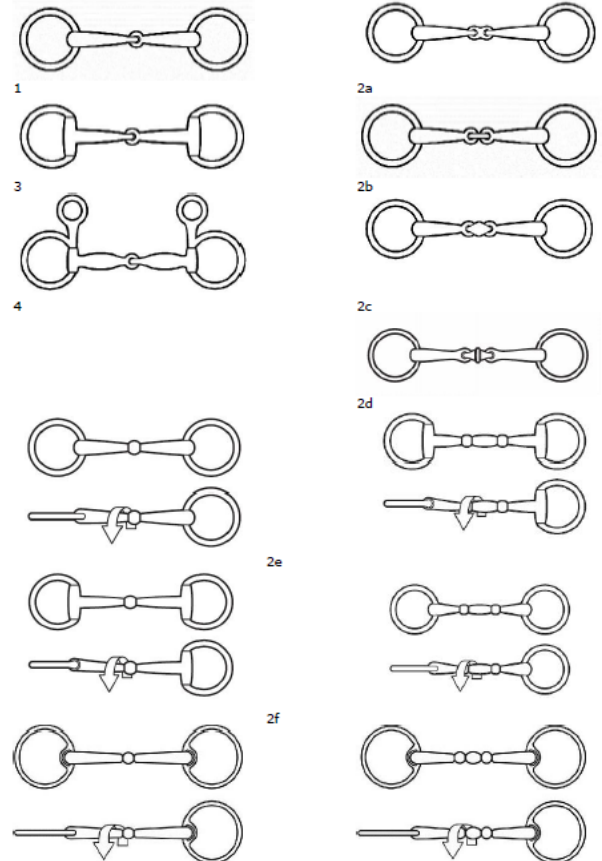
Various Parts of Double Bridle:

Various Bridoon Bits

- 1 Loose ring bridoon with single joint
- 2 a,b,c- Double jointed bridoon with rounded edges on middle pieces
d - Bridoon with rotating middle piece
e - Bridoon Rotary bit with rotating middle piece.
f – Bridoon Rotary bit with rotating middle piece and looped rings
- 3 Eggbutt bridoon
- 4 Hanging cheek bridoon

Various double bridle bits

Bridoons:





CANADIAN PONY CLUB

GENERAL RULES SUPPLEMENTAL

2025

Loyalty

Character

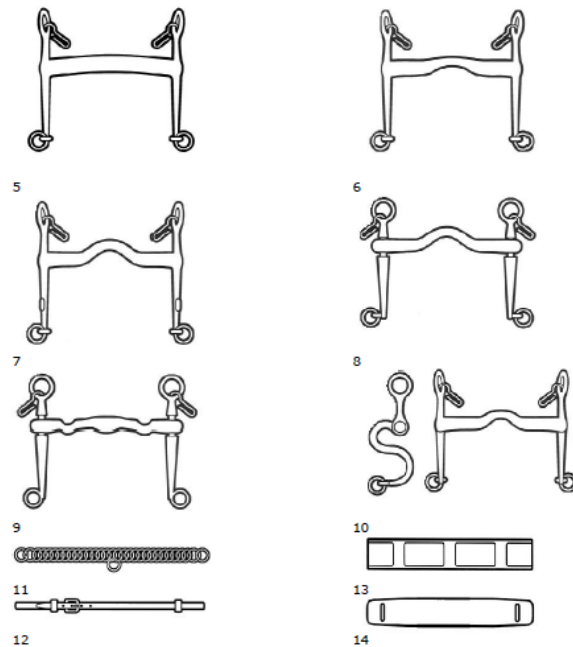
Sportsmanship

Various Curbs:

- 5 Half-moon curb
- 6,7 Curb bits with straight cheeks and various ports
- 8 Curb bit with port and sliding mouthpiece (Weymouth)

- N.B. rotating lever arm is also permitted
- 9 Variation of bits 6, 7 and 8 above
- 10 Curb bit with S-curved cheeks
- 11 Curb chain (metal or leather or a combination)
- 12 Lip strap
- 13 Leather cover for curb chain
- 14 Rubber cover for curb chain

Curbs:



Miscellaneous Tack and Accessories

Dressage requires conservative brown or black tack and accessories.

Crops / Whips

- Telescoping whips are not permitted.
- Whips for cross-country or show jumping may not be weighted at the end.

Usage	Dressage	PPG	Rally	Show Jumping	Tetrathlon
Crops / Bats under 75cm (30")	☑ (**)		☑	☑	☑
Dressage Whips under 120 cm (Horse) under 100 cm (Pony)	☑ (**)		☑ (*)	☑ (*)	

(*) As it pertains to Dressage in Rally only or warming up only on the flat for Show Jumping.

(**) Dressage Divisions run as Championship classes do not permit use of whips in the class. Warmup only.



CANADIAN PONY CLUB

GENERAL RULES SUPPLEMENTAL

2025

Loyalty

Character

Sportsmanship

Bridles

- Required for all mounted activities.
- Synthetic bridles are allowed from Entry to Pre-training levels in Dressage only.

Bridle Accessories

All bridle accessories must be non-restrictive.

Usage	Dressage	PPG	Rally	Show Jumping	Tetrathlon
Fly Bonnet, Veils	<input checked="" type="checkbox"/>	<input checked="" type="checkbox"/>	<input checked="" type="checkbox"/>	<input checked="" type="checkbox"/>	<input checked="" type="checkbox"/>
Ear Plugs		<input checked="" type="checkbox"/>	<input checked="" type="checkbox"/> (*)	<input checked="" type="checkbox"/>	<input checked="" type="checkbox"/>
Nose Nets	<input checked="" type="checkbox"/>	<input checked="" type="checkbox"/>	<input checked="" type="checkbox"/>	<input checked="" type="checkbox"/>	<input checked="" type="checkbox"/>
Poll Warmers					
Shadow Rolls / Sheepskins (Under 3 cm width)		<input checked="" type="checkbox"/>	<input checked="" type="checkbox"/>	<input checked="" type="checkbox"/>	<input checked="" type="checkbox"/>
Blinkers					

(*) Not to be allowed in flat phase.

Reins

Usage	Dressage	PPG	Rally	Show Jumping	Tetrathlon
Leather, webbed, cotton, rubber	<input checked="" type="checkbox"/>	<input checked="" type="checkbox"/>	<input checked="" type="checkbox"/>	<input checked="" type="checkbox"/>	<input checked="" type="checkbox"/>
Gaming Reins (with clips)		<input checked="" type="checkbox"/>			
Multi-coloured reins	<input checked="" type="checkbox"/> (*)	<input checked="" type="checkbox"/>	<input checked="" type="checkbox"/>	<input checked="" type="checkbox"/>	<input checked="" type="checkbox"/>
Bearing, running, side, draw or balancing reins					

(*) Entry level only

Nosebands

Usage	Dressage	PPG	Rally	Show Jumping	Tetrathlon
Cavesson	<input checked="" type="checkbox"/>	<input checked="" type="checkbox"/>	<input checked="" type="checkbox"/>	<input checked="" type="checkbox"/>	<input checked="" type="checkbox"/>
Dropped	<input checked="" type="checkbox"/>	<input checked="" type="checkbox"/>	<input checked="" type="checkbox"/>	<input checked="" type="checkbox"/>	<input checked="" type="checkbox"/>
Flash	<input checked="" type="checkbox"/>	<input checked="" type="checkbox"/>	<input checked="" type="checkbox"/>	<input checked="" type="checkbox"/>	<input checked="" type="checkbox"/>
Figure 8	<input checked="" type="checkbox"/>	<input checked="" type="checkbox"/>	<input checked="" type="checkbox"/>	<input checked="" type="checkbox"/>	<input checked="" type="checkbox"/>
Crescent Noseband	<input checked="" type="checkbox"/> (*)		<input checked="" type="checkbox"/>	<input checked="" type="checkbox"/>	<input checked="" type="checkbox"/>
Kinerton				<input checked="" type="checkbox"/>	

(*) Not allowed on double bridles.



CANADIAN PONY CLUB

GENERAL RULES SUPPLEMENTAL

2025

Loyalty

Character

Sportsmanship

Rally requires a noseband on the bridle. Please refer to EC Noseband rules and noseband tightness rules.

Martingales

Usage	Dressage	PPG	Rally	Show Jumping	Tetrathlon
Standing		<input checked="" type="checkbox"/> (*)	<input checked="" type="checkbox"/> (*)	<input checked="" type="checkbox"/>	
Running (Needs rein stoppers)	(**)	<input checked="" type="checkbox"/>	<input checked="" type="checkbox"/> (*)	<input checked="" type="checkbox"/> (*)	<input checked="" type="checkbox"/>
Irish		<input checked="" type="checkbox"/>	<input checked="" type="checkbox"/> (*)		<input checked="" type="checkbox"/>
German					
Chambon / De Gouge					

(*) For the flat phase, martingales must be removed.

(**) Permitted in designated warm-up and/or schooling areas if attached to the snaffle ring only.

Saddle Accessories

- Breastplates are allowed for all disciplines.
- Cruppers are allowed for all disciplines.
- Girth covers are allowed for all disciplines.

Boots / Bandaging

- Boots and bandages must be properly applied and fitted. i.e. Polos must not be worn during the cross-country phase.
- For Dressage, protective boots and/or bandages may be used anywhere on the competition grounds with the exception of the competition ring during active competition (as opposed to award ceremonies).

EXCEPTION: under certain conditions the Ground Jury may choose to allow protective gear to be worn. In such circumstances the decision must be posted, announced clearly and early enough and not affect a class already under way.

UNAUTHORIZED ASSISTANCE

Access to the stables is limited to the riders, grooms and officials. No parents, coaches or chaperones are to be present. Specific official(s) designated to the Stables will be assigned.

Non-Pony Club Member Coaching is only permitted where the individual rule books allow for it.



CANADIAN PONY CLUB

GENERAL RULES SUPPLEMENTAL

2025

Loyalty

Character

Sportsmanship

HORSE WELFARE AND CARE

Abuse or Inhumane Treatment

Competitors eliminated due to Abuse of Horse and Dangerous Riding will not be permitted to continue in any CPC competition.

Abuse or inhumane treatment of a horse will not be tolerated under any circumstances. See full EC rules around Cruelty, Abuse or Inhumane treatment.

Horse Matching Guidelines

The following considerations should be applied when making horse and rider matches.

- Experience of rider to experience of horse / pony.
- Weight of rider to size and capacity of horse / pony.
- Competition experience of horse and rider.

Horse / Pony Classification	Rider Weight Consideration	Rider Inseam Consideration
Small Pony (12.2hh and under)	125lbs and under (56kg)	30" (76cm) and under
Medium Pony (13.2hh and under)	150lbs and under (68kg)	32" (81.2cm) and under
Large Pony (14.2hh and under)	180lbs and under (81kg)	34" (86.3cm) and under
Horse	10% of Horse's body weight should be considered.	Any

Horse owner's discretion should be considered and the Ground Jury has the final determination in all horse / rider matching.



CANADIAN PONY CLUB

GENERAL RULES SUPPLEMENTAL

2025

Loyalty

Character

Sportsmanship

Horse Lending Guidelines

The following is a sample of the information requested from a horse lender to ensure proper care of their horse when in the care of CPC during a National or International competition.

Horse's Details			
Horses Name:		Gender:	
Horse's Breed:		Age:	
Owner PTSO #:		Size:	
Owner's Details			
Owner's Name:		Mobile Phone #:	
Veterinarian Details (On Call or your Veterinarian details)			
Who to contact in case of Emergency?		Phone #:	
Farrier Details (On Call or your Farrier details)			
Who to contact in case of Emergency?		Phone #:	
Feed (List Amounts for each and please provide all grain labelled in individual feeding bags)			
Grain:		Hay:	
Succulents:		Supplements:	
Other Details:		Feed Times (AM):	
		Feed Times (PM):	
Tack Provided (Please check those provided. It is best if you can supply the tack for your horse so that they are most comfortable wearing fitted tack):			
Bridle:		Saddle:	
Girth:		Saddle Pad:	
Halter:		Lead:	
Boots / Polos:		Cooler:	
Others provided:		Fly Sheet:	
		Brushes / Grooming:	



CANADIAN PONY CLUB

GENERAL RULES SUPPLEMENTAL

2025

Loyalty

Character

Sportsmanship

APPROPRIATE DRESS AND ATTIRE

Equestrian Canada is the governing sport body for rules around permitted attire within the Canadian Equestrian community. Further definition or restrictions on that attire may be applied at the Canadian Pony Club level specifically around grooms or riders while not in competition.

Applies to all CPC Disciplines

Identification	<ul style="list-style-type: none"> To facilitate judging, competitors must wear numbers at all times. Pony Club pins and coloured disc, which indicates their Pony Club standing should be worn during competition phase including turnout, warmup and competing. Pony Club pins are not to be worn during the cross-country phase, for safety reasons. Failure to wear will result in turnout penalties but not elimination. In the case of the number to be affixed to the saddle pad or bridle, this number should be affixed to the horse at all times when outside of their stall.
----------------	--

Rider Dress / Attire

Below, the chart outlines the dress that is mandatory (*) or allowed (check mark) for the riding portion of the disciplines. See exceptions and clarifications below chart.

Dress	Dressage	PPG	Rally	Show Jumping	Tetrathlon
Helmet	*	*	*	*	*
Jacket	*		*	*	
Safety Vest	<input checked="" type="checkbox"/>	<input checked="" type="checkbox"/>	<input checked="" type="checkbox"/> *	<input checked="" type="checkbox"/>	*
Shirts	*	*	*	*	*
Short Sleeve Shirt	<input checked="" type="checkbox"/>	<input checked="" type="checkbox"/>	<input checked="" type="checkbox"/>	<input checked="" type="checkbox"/>	
Long Sleeve Shirt	<input checked="" type="checkbox"/>	<input checked="" type="checkbox"/>	<input checked="" type="checkbox"/>	<input checked="" type="checkbox"/>	*
Ties	*		*	*	
Stock Tie	<input checked="" type="checkbox"/>		<input checked="" type="checkbox"/>	<input checked="" type="checkbox"/>	
Ratcatcher	<input checked="" type="checkbox"/>		<input checked="" type="checkbox"/>	<input checked="" type="checkbox"/>	
Choker Pin	<input checked="" type="checkbox"/>		<input checked="" type="checkbox"/>		
Tie	<input checked="" type="checkbox"/>	<input checked="" type="checkbox"/>	<input checked="" type="checkbox"/>	<input checked="" type="checkbox"/>	
Gloves	*	<input checked="" type="checkbox"/>	*	*	*
Pants	*	*	*	*	*
Breeches	<input checked="" type="checkbox"/>	<input checked="" type="checkbox"/>	<input checked="" type="checkbox"/>	<input checked="" type="checkbox"/>	<input checked="" type="checkbox"/>
Jodhpurs	<input checked="" type="checkbox"/>	<input checked="" type="checkbox"/>	<input checked="" type="checkbox"/>	<input checked="" type="checkbox"/>	<input checked="" type="checkbox"/>
Chaps					
Half Chaps	<input checked="" type="checkbox"/>	<input checked="" type="checkbox"/>	<input checked="" type="checkbox"/>	<input checked="" type="checkbox"/>	<input checked="" type="checkbox"/>
Full Chaps					
Boots	*	*	*	*	*



CANADIAN PONY CLUB

GENERAL RULES SUPPLEMENTAL

2025

Loyalty	Character			Sportsmanship	
Dress	Dressage	PPG	Rally	Show Jumping	Tetrathlon
Paddock Boots	<input checked="" type="checkbox"/>	<input checked="" type="checkbox"/>	<input checked="" type="checkbox"/>	<input checked="" type="checkbox"/>	<input checked="" type="checkbox"/>
Tall Boots	<input checked="" type="checkbox"/>	<input checked="" type="checkbox"/>	<input checked="" type="checkbox"/>	<input checked="" type="checkbox"/>	<input checked="" type="checkbox"/>
Riding sneakers		<input checked="" type="checkbox"/>			

(*) Mandatory Items

The information points below outline exceptions or clarifications to that dress attire chart above.

- Helmets always required for all mounted activities. See Safety area for details. Hat covers may be worn in wet or cold weather.
- Any single-coloured short jacket, cutaway with short tails or tailored dressage vest with subtle pin-stripping, checks or tweeds with a long or short sleeved shirt with a collar. Contrasting collars, points, modest piping or crystal decorations are allowed. Tailcoats are not permitted. CPC Crest on the jacket (traditionally left sleeve). Judges / Ground Jury may allow removal of jackets. Costumes may be worn in lieu of jackets in designated classes as per Prizelist.
- Jackets and one tie option in Rally are only mandatory for Dressage and Show Jumping phases.
- Safety Vests are required for Cross Country or Derby phases.
- Dressage requires the attire to be neutral colours – white / light / dark coloured breeches, shirt (long or short sleeved may be of one or two complementary solid colours or pin striped) and single coloured jacket (solid, subtle pin-stripping, checks or tweeds).
- Gloves required while mounted or lungeing (with the exception of PPG). Failure to wear them will result in turnout penalties and not elimination.
- Correctly fitted half chaps with zippers are allowed and they must be dark or colour coordinated. It is recommended that Half chaps match boot colour. (At the higher levels, EC requires that half chaps be made of smooth leather the same colour as the boots or may not be permitted at all – check EC Rules Section E).
- Half Chaps may not have the intermittent Velcro tabs running down the side of the half chaps in Dressage.
- No portion of the rider’s leg should be exposed while mounted. Half chap, tall boot or tall socks may be required.
- Correctly fitting boots with a heel must be worn. May be dark or colour coordinated (plain with or without boot crowns, laces or with zippers).

In adverse weather conditions, the Organizer, in consultation with the Steward and the Judges, may alter the dress regulations to suit conditions.

Non-Competing Attire

Grooms and competitors (not during competition) should follow these rules around their attire:

- All members are expected to be appropriately attired during all Pony Club competitions or events. Shirts must be worn that have sleeves (to the point of the shoulder) and must cover the



CANADIAN PONY CLUB

GENERAL RULES SUPPLEMENTAL

2025

Loyalty

Character

Sportsmanship

midriff. Shorts must be mid-thigh or longer (unless discipline specific). Swimsuits are to be worn at swim activities only. Attire is to be respectful.

- Paddock boots, tall boots, rubber boots – no running or open toe shoes or sandals.
- T-shirts, dress shirts – no tank tops.
- Shorts, breeches, jeans – no short shorts.



CANADIAN PONY CLUB

GENERAL RULES SUPPLEMENTAL

2025

Loyalty

Character

Sportsmanship

MEDICAL ARMBAND INSERT

<p style="text-align: center;">Canadian Pony Club Medical Card</p> <p>Date: _____</p> <p>Full Name of Rider: _____</p> <p>Date of Birth: _____ d m y</p> <p>Permanent Address: _____</p> <p>_____</p> <p>Postal Code: _____</p> <p>Tel #: _____</p> <p>Cell #: _____</p>	<p>Emergency Contact:</p> <p>Name: _____</p> <p>Relationship: _____</p> <p>Address: _____</p> <p>Tel. #: _____</p> <p>Cell #: _____</p> <p>Alternate contact: _____</p> <p>Cell #: _____</p> <p>Horse Trailer Details</p> <p>Make: _____</p> <p>Model: _____</p> <p>Colour: _____</p> <p>License # _____ Prov: _____</p>	<p>Personal Information:</p> <p>Health card# and prov. _____</p> <p>Physician Information:</p> <p>Name: _____</p> <p>Address: _____</p> <p>Tel. #: _____</p> <p>Allergies: please specify ()drug ()food () environment</p> <p>_____</p> <p>_____</p> <p>_____</p>	<p>Medications: Specify all current medications:</p> <p>_____</p> <p>_____</p> <p>_____</p> <p>_____</p> <p>Record details of any allergies to medicines:</p> <p>_____</p> <p>_____</p> <p>_____</p>																																																																									
<p>Previous Medical History</p> <table border="1" style="width: 100%; border-collapse: collapse;"> <tr> <td style="width: 50%;">Previous injuries</td> <td style="width: 50%;">yes</td> <td style="width: 50%;">no</td> </tr> <tr> <td>Head</td> <td></td> <td></td> </tr> <tr> <td>Concussion</td> <td></td> <td></td> </tr> <tr> <td>Face</td> <td></td> <td></td> </tr> <tr> <td>Neck</td> <td></td> <td></td> </tr> <tr> <td>Back</td> <td></td> <td></td> </tr> <tr> <td>Chest</td> <td></td> <td></td> </tr> <tr> <td>Abdomen</td> <td></td> <td></td> </tr> <tr> <td>Limbs</td> <td></td> <td></td> </tr> <tr> <td>Surgical Operations</td> <td></td> <td></td> </tr> </table> <p>If you have any difficulty in completing this medical card, please contact your physician.</p>	Previous injuries	yes	no	Head			Concussion			Face			Neck			Back			Chest			Abdomen			Limbs			Surgical Operations			<p>Record details of previous injuries/surgical operations/medical conditions, including dates:</p> <p>_____</p> <p>_____</p> <p>_____</p> <p>_____</p> <p>_____</p> <p>_____</p> <p>_____</p> <p>_____</p>	<p>Medical Conditions:</p> <table border="1" style="width: 100%; border-collapse: collapse;"> <tr> <td style="width: 50%;">Yes</td> <td style="width: 50%;">No</td> </tr> <tr> <td>Diabetes</td> <td></td> </tr> <tr> <td>Epilepsy</td> <td></td> </tr> <tr> <td>Blackouts</td> <td></td> </tr> <tr> <td>Asthma</td> <td></td> </tr> <tr> <td>Heart</td> <td></td> </tr> <tr> <td>Lung</td> <td></td> </tr> <tr> <td>Other:</td> <td></td> </tr> </table> <p>This medical card is the property of the rider. Due to personal information contained hereon, this completed card is NOT to be reproduced in any form.</p>	Yes	No	Diabetes		Epilepsy		Blackouts		Asthma		Heart		Lung		Other:		<p>Supplementary Information</p> <table border="1" style="width: 100%; border-collapse: collapse;"> <tr> <td style="width: 50%;"></td> <td style="width: 50%;">yes</td> <td style="width: 50%;">no</td> </tr> <tr> <td>Normal sight</td> <td></td> <td></td> </tr> <tr> <td>Normal pupils</td> <td></td> <td></td> </tr> <tr> <td>Contact lenses</td> <td></td> <td></td> </tr> <tr> <td>Normal hearing</td> <td></td> <td></td> </tr> <tr> <td>Are you on Cortisone?</td> <td></td> <td></td> </tr> <tr> <td>Have you ever required Cortisone?</td> <td></td> <td></td> </tr> <tr> <td>Blood group if known</td> <td></td> <td></td> </tr> <tr> <td>Date of last tetanus</td> <td></td> <td></td> </tr> </table>		yes	no	Normal sight			Normal pupils			Contact lenses			Normal hearing			Are you on Cortisone?			Have you ever required Cortisone?			Blood group if known			Date of last tetanus		
Previous injuries	yes	no																																																																										
Head																																																																												
Concussion																																																																												
Face																																																																												
Neck																																																																												
Back																																																																												
Chest																																																																												
Abdomen																																																																												
Limbs																																																																												
Surgical Operations																																																																												
Yes	No																																																																											
Diabetes																																																																												
Epilepsy																																																																												
Blackouts																																																																												
Asthma																																																																												
Heart																																																																												
Lung																																																																												
Other:																																																																												
	yes	no																																																																										
Normal sight																																																																												
Normal pupils																																																																												
Contact lenses																																																																												
Normal hearing																																																																												
Are you on Cortisone?																																																																												
Have you ever required Cortisone?																																																																												
Blood group if known																																																																												
Date of last tetanus																																																																												



CANADIAN PONY CLUB

GENERAL RULES SUPPLEMENTAL

2025

Loyalty

Character

Sportsmanship

National Spirit Award

Consider adding this to a National or Regional competition to recognize those individuals or teams that exhibit exemplary sportsmanship conduct and spirit. See CPC Web Site for spreadsheet to use for this.

Category	Rubric	Scoring
Passport	<p>Did team members bring CPC passports? How many?</p> <ul style="list-style-type: none"> • 0 = No member • 1 = Some members • 2 = Most (75%) of members 	
Horse Owner Gift	<p>Did the Region's Team bring a gift for horse owners?</p> <ul style="list-style-type: none"> • 0 = No • 2 = Gift for just one or some of the owners • 3 = Gift for all of the owners. 	
Volunteers	<p>Did the Region's chaperone(s) or parents accept a volunteer job when offered? Are volunteers doing their jobs, are they respectful, going out of the way to make sure the competition runs smoothly?</p> <ul style="list-style-type: none"> • -1 = Unhelpful or disrespectful • 0 = No volunteer help offered / provided • 3 = Some help offered / provided • 5 = Exceptional help offered / provided 	
Outfits / Spirit	<p>Are the teams dressed in regional colours / themed gear? Do they have a mascot? Other displays of team spirit (cheers, banners, etc.)?</p> <ul style="list-style-type: none"> • 0 = No theme / colours, etc. • 1 = Regional Colours / themes • 2 = Regional Colours / themes + other team spirit 	
Sportsmanship	<p>Are members willing to: Accept horses as drawn (other than safety, lameness issues)? Help out other regions / members? Are they overall displaying excellent sportsmanship? Are they making friends with members from other regions? Bonus points (1 – 10) to be assessed on case-by case basis. If non, score = 0.</p>	
Sportsmanship Penalties	<p>Are members disrespectful / rude to volunteers, organizers, officials, other members? Are they cheating, not following rules? Refusing to interact politely or in a friend manner? Penalties (-5 to 0) to be assessed on case-by-case basis.</p>	
Participation	<p>Did Region bring a groom(s)?</p> <ul style="list-style-type: none"> • 0 = No • 1 = 1 groom provided. • 2 = More than 1 groom provided. 	
Late Entries	<p>Did the Region submit entries on time? Penalty to be assessed if late.</p> <ul style="list-style-type: none"> • 1 = If early • 0 = On time • -1 = if either First Notice late or Registration late but one on time. • -2 = If both First Notice and Registration Form were late. 	
Total	Add up all above scores and penalties (Out of 27)	